

Machined Gland Requirements

Equipment Reference:

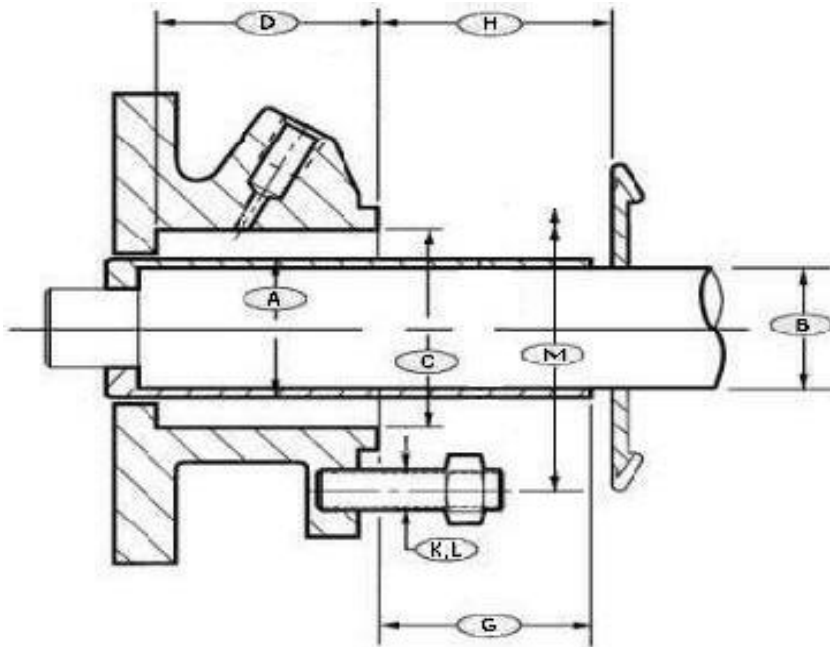
Manufacturer: _____
 Model \ Size: _____
 Max. Pressure: _____

Sealed Product: _____
 Max. Temperature: _____
 Rotation Direction: _____

Equipment Deminsions:

A Sleeve OD _____
B Shaft OD _____
C Box Bore _____
D Box Depth _____
G Sleeve End _____

H 1st Obstruction _____
K Bolt Quantity _____
L Bolt Size _____
M Bolt Circle _____



Gland Options:

